

## SPEC SHEET

Rev 9-22-2020  
SKU 5175318



# D4-12A ALIGNMENT LIFT

## SKU 5175318

### DESCRIPTION

#### 12,000-lb. Capacity / Alignment Lift

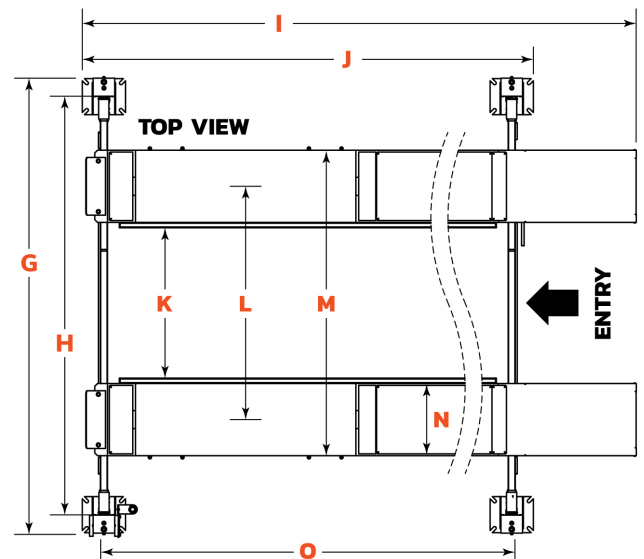
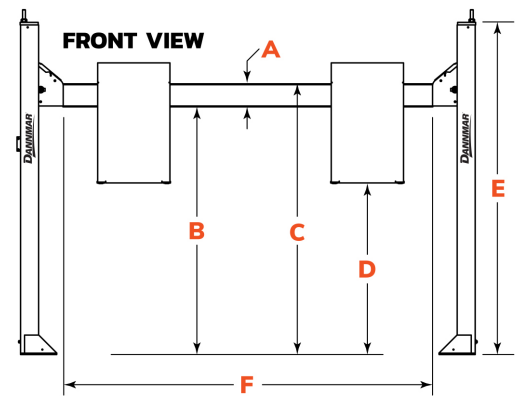
Dannmar's D4-12A 12,000 lb. capacity alignment lift utilizes industrial-strength slip plates and turn plates into the runways to provide optimal results. With this, the wheels respond to every adjustment with effectively no resistance.



### SPECIFICATIONS

Model	D4-12A
SKU#	5175318
Lifting Capacity	12,000 lbs. (5,443 kg)
A - Min. Runway Height	9.5" (243 mm)
B - Max. Rise	68.75" (1,746 mm)
C - Max. Lifting Height	79.5" (2,019 mm)
D - Ramp Clearance* (Max. Rise)	49" (1,245 mm)
E - Height of Columns	92" (2,337 mm)
F - Drive-Thru Clearance	98" (2,482 mm)
G - Overall Width	127.5" (3,239 mm)
H - Width Between Columns	115.75" (2,940 mm)
I - Overall Length	233.5" (2,940 mm)
J - Outside Columns	115.75" (2,940 mm)
K - Width Between Runways	34.5" (876 mm) - 41.5" (1,054 mm)
L - Runway Centerline	54.5" (1,384 mm) - 61.5" (1,562 mm)
M - Outside Edge of Runways	74.5" (1,892 mm) - 81.5" (2,070 mm)
N - Runway Width	20" (508 mm)
O - Length of Runways	194.75" (4,947 mm)
Min. 4-Wheel Alignment	106" (2,692 mm)
Max. 4-Wheel Alignment	158.5" (4,026 mm)
Max. 2-Wheel Alignment	163.5" (4,153 mm)
Min Wheelbase @ Rated Capacity	140" (3,556 mm)
Min Wheelbase @ 75% Capacity	120" (3,048 mm)
Min Wheelbase @ 50% Capacity	100" (2,540 mm)
Min Wheelbase @ 25% Capacity	80" (2,032 mm)
Locking Positions	15 (spaced every 4" / 102 mm)
Lifting Time	60 sec
Motor	220 VAC / 60 Hz / 1 Ph

\* Approach ramps can be removed.



1-877-432-6627

sales@dannmar.com

www.dannmar.com

1645 Lemonwood Dr.  
Santa Paula, CA 93060