

SPEC SHEET

Rev 9-16-2020
SKU 5175316



D2-8F TWO-POST LIFT

SKU 5175316

DESCRIPTION

8,000-lb. Capacity / Two-Post Lift / Floorplate / Adjustable Width / Includes Stackable Pads and Adapters

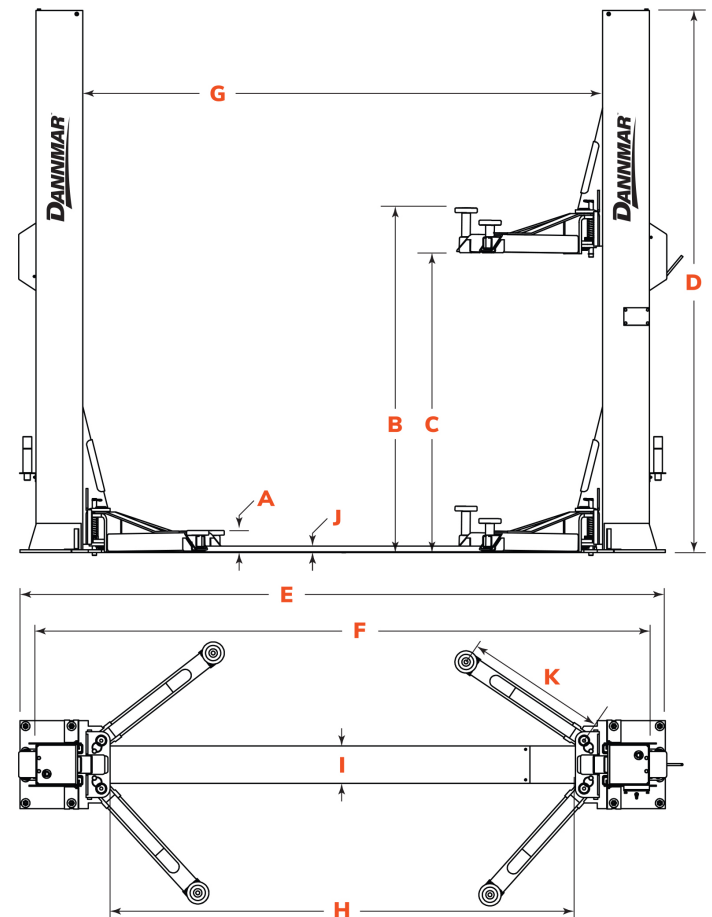
The Danmar D2-8F has quick lifting speed with a hearty amount of features to increase usefulness and productivity. These features provide lower operating costs and quicker repair times. If you're looking to work with less hassle, check out Danmar's short-style D2-8F automobile lift as the perfect lift for your shop.



SPECIFICATIONS

Model	D2-8F
Style	Floorplate
SKU#	5175316
Lifting Capacity	8,000 lbs. (3,629 kg)
A - Lowered Height + Pad	4.25" (108 mm)
B - Max. Lifting Height (Top Lock)	80.5" (2,045 mm)
C - Max. Rise	72" (1,829 mm)
D - Height Overall	113" (2,870 mm)
E - Width Overall	132" (3,353 mm) or 145" (3,683 mm)
F - Width Outside Columns	126.75" (3,219 mm) or 139.75" (3,550 mm)
G - Width Inside Columns	105" (2,667 mm) or 118" (2,997 mm)
H - Drive-Thru Clearance	93" (2,362 mm) or 106" (2,692 mm)
I - Floorplate Width	8.5" (216 mm)
J - Floorplate Height	1.25" (33 mm)
K - Arm Length	32.25" (819 mm) - 52.25" (1,327 mm)
Max. Load per Arm	2,250 lbs. (1,021 kg)
Time to Full Rise	45 seconds
Noise	45 dB
Motor (*)	220 VAC / 60 Hz / 1 Ph

* Special voltages available upon request.



1-877-432-6627

sales@danmar.com

www.danmar.com

1645 Lemonwood Dr.
Santa Paula, CA 93060