

SPEC SHEET

Rev 8-25-2020
SKU 5175313



D2-10A TWO-POST LIFT

SKU 5175313

DESCRIPTION

10,000-lb. Capacity / Asymmetric Clearfloor / Two-Post Lift / Includes Stackable Pads and Adapters

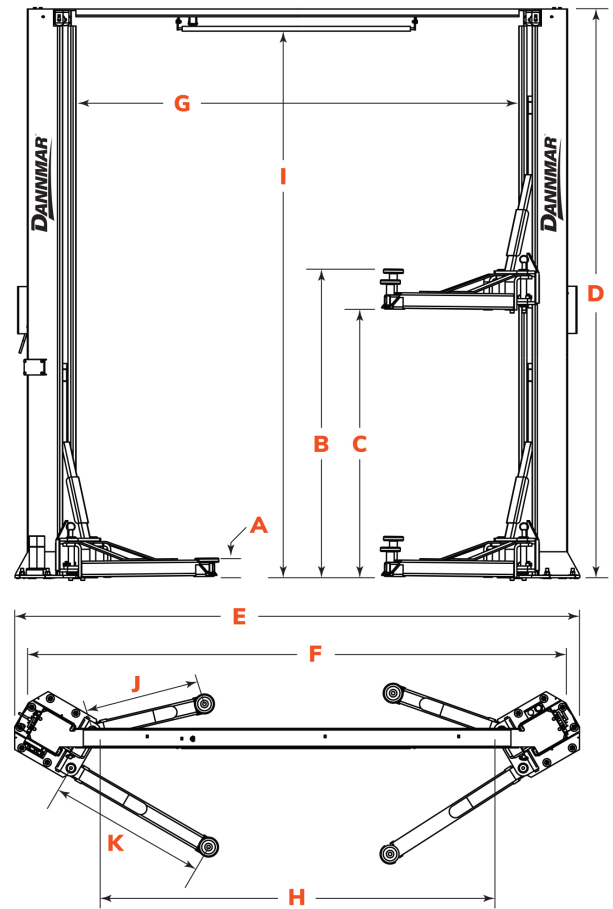
With a 10,000-lb. lifting capacity, the Danmar D2-10A utilizes asymmetric columns positioned in a slightly rotated angle, thus allowing the vehicle's doors to swing open which makes it easy to enter and exit the vehicle.



SPECIFICATIONS

Model	D2-10A
Style	Asymmetric
SKU#	5175313
Lifting Capacity	10,000 lbs. (4,536 kg)
A - Lowered Height + Pad	5" (127 mm)
B - Maximum Lifting Height (Top Lock)	78.5" (1,994 mm)
C - Max. Rise	69" (1,753 mm)
D - Height Overall	145" (3,683 mm)
E - Width Overall	143.5" (3,645 mm)
F - Width Outside Columns	137.25" (3,486 mm)
G - Width Inside Columns	120.75" (3,067 mm)
H - Drive-Thru Clearance	100" (2,540 mm)
I - Floor to Top Switch	141" (3,581 mm)
J - Front Arm Reach	29.25" (743 mm) - 43.75" (1,111 mm)
K - Rear Arm Reach	40.25" (1,022 mm) - 58" (1,473 mm)
Max. Load per Arm	2,500 lbs. (1,134 kg)
Time to Full Rise	45 seconds
Noise	45 dB
Motor (*)	220 VAC / 60 Hz / 1 Ph

* Special voltages available upon request.



1-877-432-6627

sales@danmar.com

www.danmar.com

1645 Lemonwood Dr.
Santa Paula, CA 93060